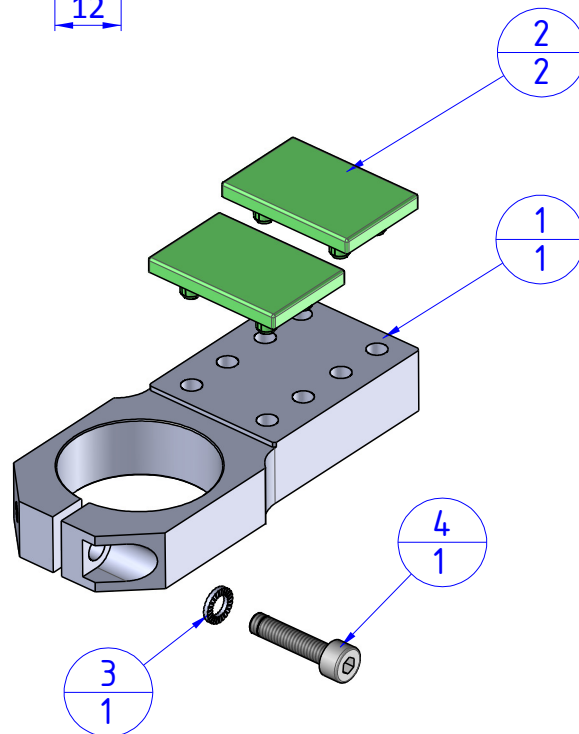
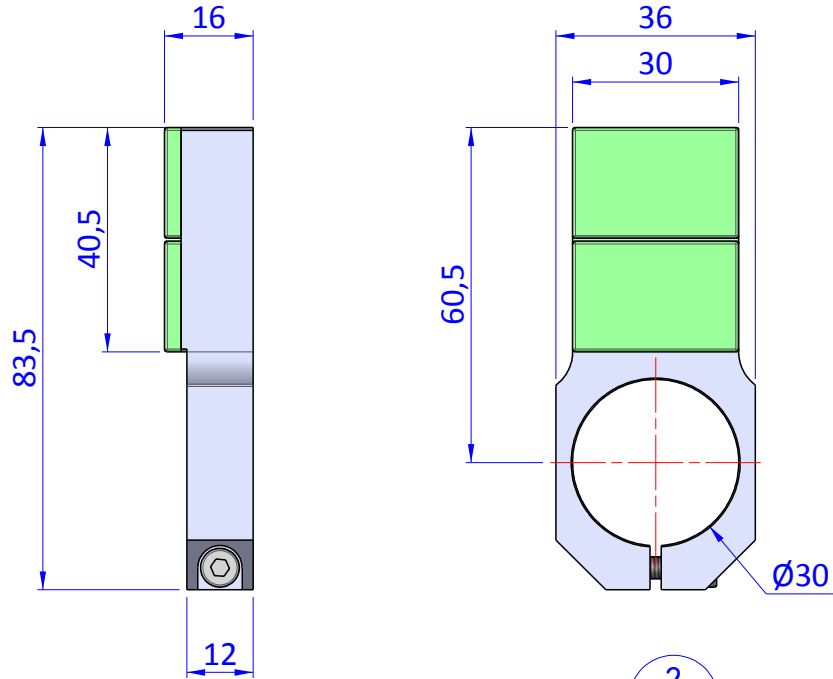

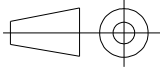


THE PROPERTY OF THE DRAWING IS ESTABLISHED BY LAW. IT IS FORBIDDEN TO PRODUCE OR SHOW IT TO THIRD PART. WITHOUT A WRITTEN AGREEMENT.

| Item | Name | Q.ty |
|------|----------------|------|
| 1 | GRF30.95.07.40 | 1 |
| 2 | GRF30.95.08.V | 2 |
| 3 | R.4.SCH | 1 |
| 4 | V.TCE4x18 | 1 |



| | | | | | |
|--------------------------------|--|--|--|--|--------------------|
| Format A4 UNI 936-76 |  FPSERVICES AUTOMATION | |  | DESIGNED FROM FPS Automation | REVIEW A |
| | GENERAL TOLERANCE UNI - ISO 2768 CLASSE f | DESCRIPTION GRF30.95.0708.40 | | DATE 13/05/2019 | WEIGHT 0,062kg |
| | | | | CODE GRF30.95.0708.40 | |